

NOTA : **TIANG 12 METER**

PROJEK :

DISEMAK OLEH :

DILULUSKAN OLEH :

PEMILIK :



JABATAN KEJURUTERAAN
 MAJLIS BANDARAYA SUBANG JAYA,
 USJ 5, PERSIARAN PERPADUAN,
 47610 SUBANG JAYA,
 SELANGOR DARUL EHSAN.

TAJUK :

**REKABENTUK TIANG DEKORATIF
 BAGI KEGUNAAN KAWASAN
 BLOK PERANCANGAN BP.1.**

DILUKIS OLEH : MOHD ROMANDI BIN MOHD RAZALI

DISEMAK OLEH : EN. KHAIRUL NIZAM BIN KHALID

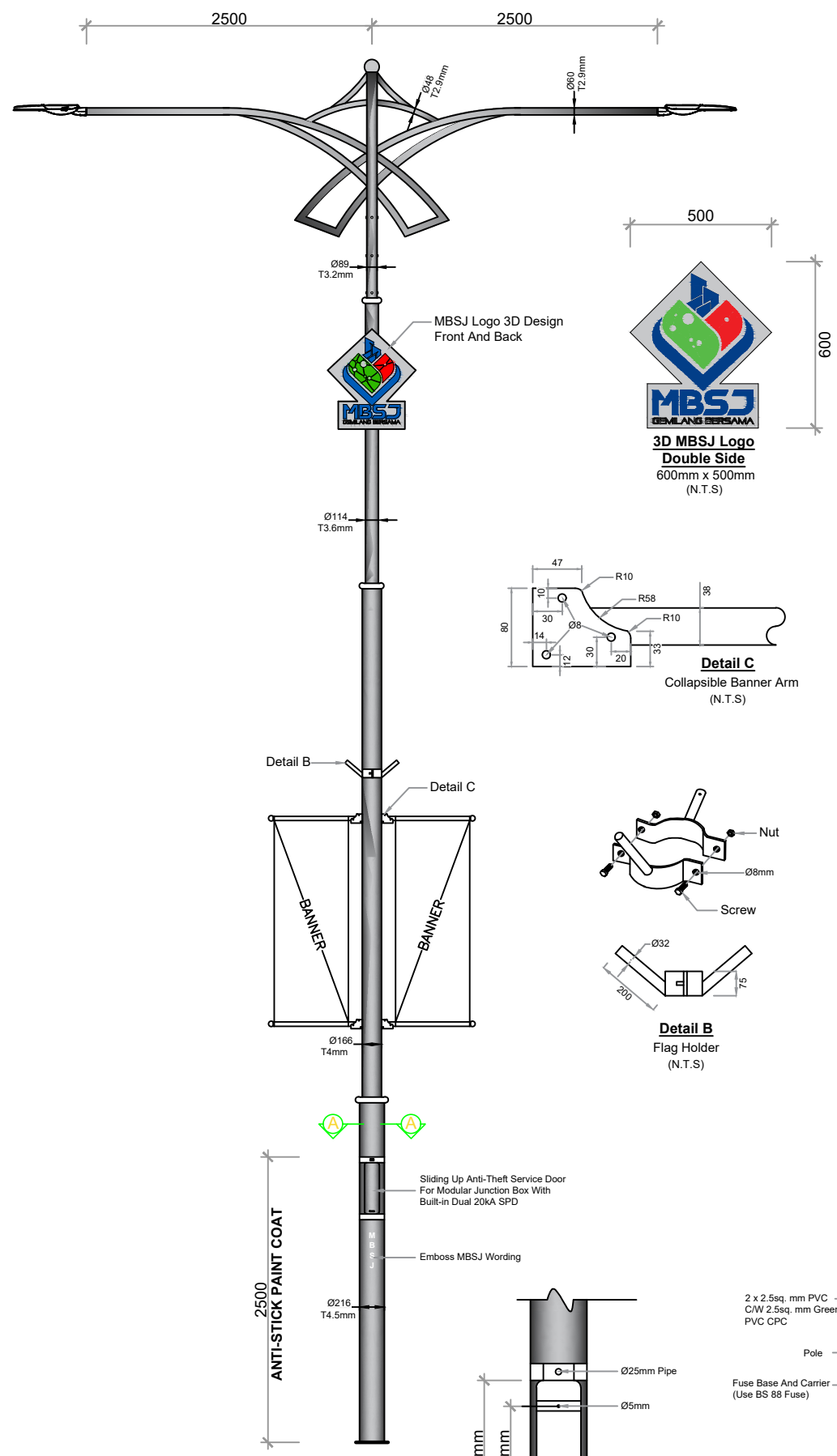
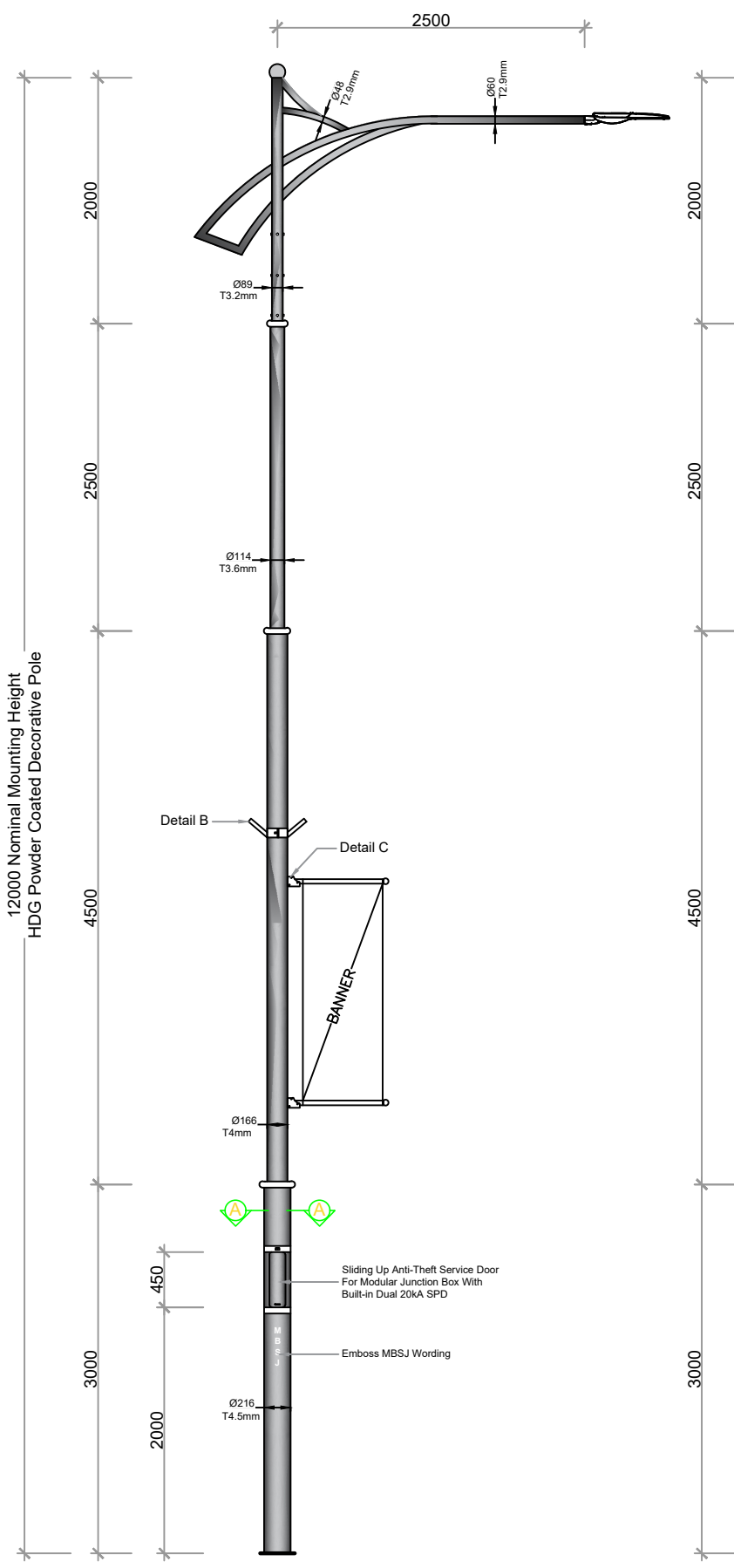
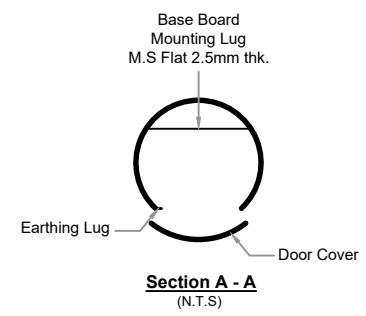
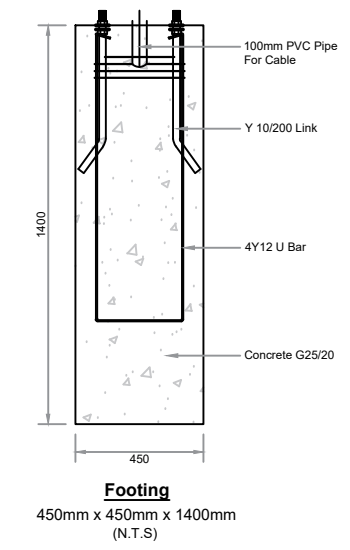
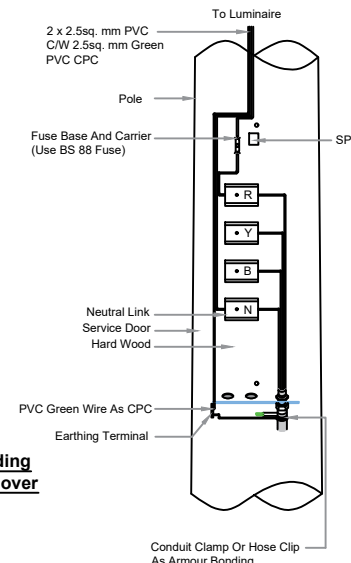
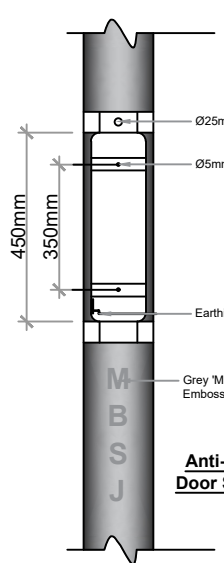
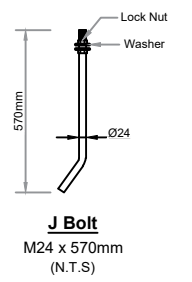
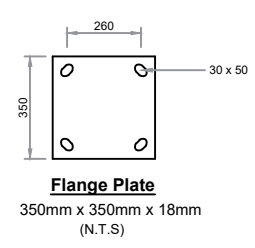
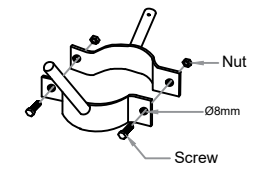
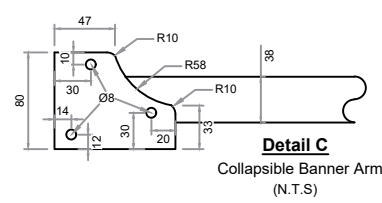
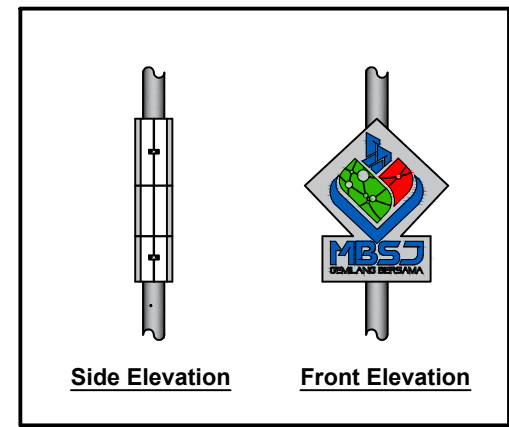
DILULUSKAN OLEH : Ir. Dr. MOHD ARIFFUDDIN BIN HJ. KAMARI

TARIKH : 08 / 05 / 2025

SKALA : N.T.S

NO. LUKISAN : LUK. 1

TECHNICAL SPECIFICATIONS
 THE DESIGN OF LIGHTING ARE DYNAMICALLY PROVED AND VERIFIED BY USING (FINITE ELEMENT ANALYSIS) DESIGN TO WITH STAND WIND SPEED OF 35M PER SECOND, TOPOGRAPHY, GROUND ROUGHNESS AND STATICAL FACTOR OF 1.0
 LIGHTING COLUMNS ARE COMPLIANCE TO THE BRITISH COLUMNS SPECIFICATION BS 5649
 MATERIAL USED FOR LIGHTING COLUMNS ARE COMPLIANCE BS 4360 GRADE 43A/BS 1387
 WELDING PROCESS CONFORM TO BS 5135
 COLUMNS ARE ANTI-CORRODED BY HOT-DIP GALVANIZED COMPLIANCE TO GALVANIZING STANDARD BS 729
 SERVICE DOOR DIMENSION ARE GIVEN AS A GUIDE ONLY THE ENGINEER MUST SATIFY HIMSELF THAT DIMENSION IS ADEQUATE FOR THE INSTALLATION THE REQUIRED CONTROL
 FINISHING POWDER COATED STANDARD COLOUR DARK GREY RAL 7024 - COATING WRINKLE TYPE



2500
 ANTI-STICK PAINT COAT